

## ZP755B-2P

### ZP7 Series Addressable Detector Base Sounder - POLAR WHITE

#### General

The ZP755B-2P POLAR WHITE base sounder combines a detector base and audible sounder in a single stylish moulding. The unit provides an elegant solution for areas where the installation of a separate detector and sounder would prove expensive, both in equipment capital value and system wiring costs. Installation time is further reduced as the moulding plugs directly onto a first fix base eliminating the need for any internal connections.

The ZP755B-2P is perfectly suited for any location involving multiple alarm sounders, for example hotel bedrooms and risk areas comprising many small compartments.

Independent addressing for the detector and alarm facility is featured, with sound levels conforming to EN54 Part 3.

#### Advanced acoustic design

High efficiency acoustic design and a low energy sound gun transducer enable up to 60 sensors with sounder bases to be connected to a 1 km loop of 1.5mm<sup>2</sup> cable, with a wiring run of 50 metres to the first device. In systems where loop lengths or current requirements are excessive, the sounder base can be powered directly from an external power supply.

#### Microphone output test

The ZP755 range features a unique self test facility that is automatically activated during routine sounder testing. A built in microphone circuit measures sound output level and automatically signals the sounder address to the control panel, should the output test fail.

Continuous, intermittent and two-tone audible outputs are available from which any combination can be chosen to provide alert and evacuate, two stage alarms. Sound types comply with most international codes (e.g. BS 5839 Part 1 recommended frequencies).



#### Standard Features

- Detector and sounder from a single wiring point – minimising installation costs
- Powered directly from the ZP loop
- Up to 60 detectors with sounders directly on the loop
- Separate addresses selectable for detector and sounder
- High efficiency sound gun transducer
- Compatible with all ZP loop devices
- Wide range of international sound types and frequencies
- EN54:3 approved and CPR certified

# ZP755B-2P

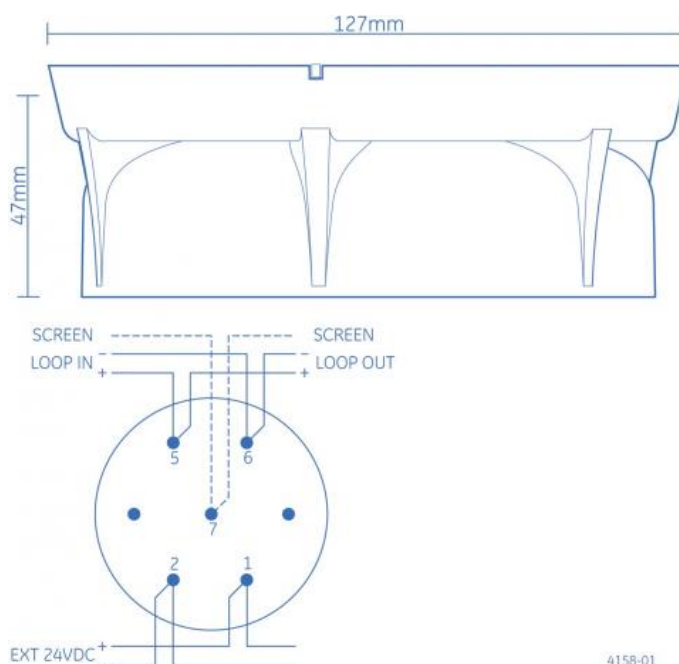
## ZP7 Series Addressable Detector Base Sounder - POLAR WHITE

### Specifications

<b>Compatibility</b>	All ZP7 addressable systems
<b>Mounting</b>	Surface mount with plug in base - SPB-2P (White)
<b>Operating voltage</b>	
Loop powered	19.5 - 20.5V
Externally powered	18 - 30VDC
<b>Loop current</b>	
Quiescent (when loop powered)	820µA
Active (when loop powered)	4.5mA
Quiescent (when externally powered)	470µA
Active (when externally powered)	500µA
<b>Devices per loop (max)</b>	60 (1km loop of 1.5mm <sup>2</sup> cable, 50 m to first device)
<b>Wiring</b>	2 core loop
<b>Monitoring</b>	Open/short circuit, sound output, removal, device type
<b>Addressing method</b>	7 way dipswitch
<b>Sounder</b>	
Sound output (tone dependant)	75 dB(A) @ 1 m
Sound types	User configurable
<b>Environmental</b>	
Application	Indoor
IP rating	IP21C
Operating temperature	-10°C to 60°C
Storage temperature	-20°C to 70°C
RH range (noncondensing)	10 to 95%
<b>Physical</b>	
Dimensions (dia x h)	127 x 47mm
Weight	150g
Material	Moulded thermoplastic
Colour	Polar White
<b>EMC</b>	CPR certified

### Ordering Information

Part No.	Description
ZP755B-2P	ZP7 Series Addressable Detector Base Sounder - POLAR WHITE
SPB-2P	Pluggable Base for ZP7 Series Notification Devices - POLAR WHITE
ZP755-COV-P	Polar White Cap for ZP755B Series Notification Devices
ZP755-COV-R	Red Cap for ZP755B Series Notification Devices



4158-01